

5.0mm Square Tact Switch (Vertical, SMT Type)



TSE-04/05/06S-XXX

TS - Tact Switch

E - E Series

04 / 05 / 06 - Type

S - SMT Type


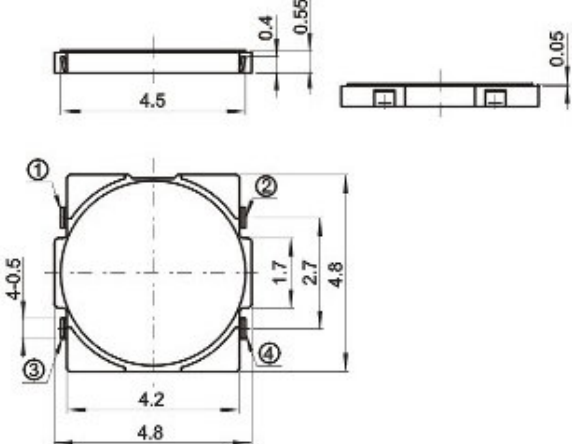
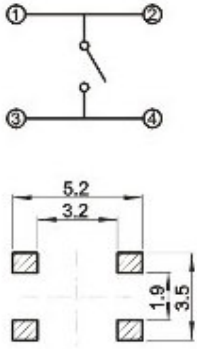

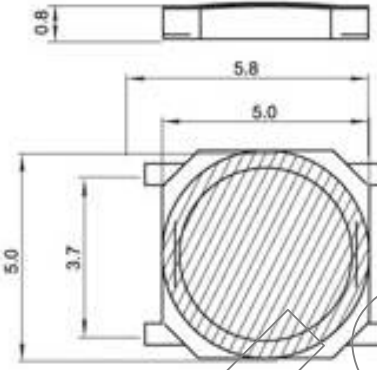
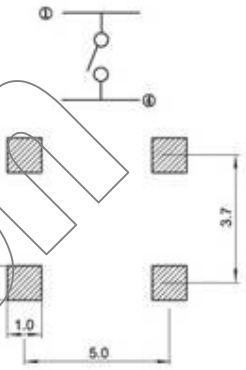

XXX - Action Force (gram)

SPECIFICATIONS

Mechanical Life:	100,000 cycles for 180g±50g 50,000 cycles for 250g±50g
Operating Force:	180g±50g, 250g±50g
Travel:	0.2±0.05mm
Rating:	50mA 12V DC
Dielectric withstanding:	250V AC/minute
Insulator resistance:	≥ 100 MΩ at 100V
Contact resistance:	≤ 100 mΩ/Contact
Operating temperature:	-20°C ~ +70°C
Storage temperature:	-40°C ~ +85°C

Material

Base:	LCP, UL94V-0
Contact material:	Phosphor Bronze
Contact Spring Plating:	Stainless-Steel/Silver Plating

Physical Picture	Outline Drawing	Circuit
 <p>TSE-04S-XXX</p>		
 <p>TSE-05S-XXX</p>		
 <p>TSE-06S-XXX</p>	